

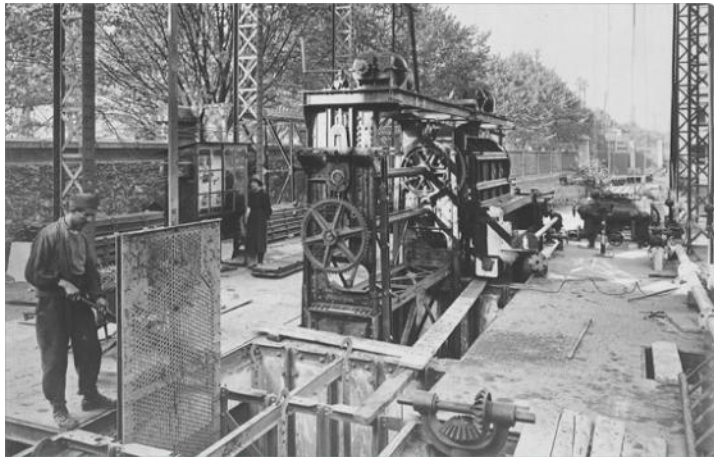


GENERAL PRESENTATION

THE COMPANY

2

- Founded in 1912 in Paris – 104 years of experience
- Family-owned company
- Engineering and Construction for screening solutions



THE COMPANY

3

□ 4 office locations

- Paris, France - Headquarters
- Loveland CO, United States
- Kuala Lumpur, Malaysia
- Porto, Portugal

EUROPE, AFRICA



NORTH AND SOUTH AMERICA



ASIA AND AUSTRALIA



PORTUGAL
(Fabrication)



MAIN ACTIVITIES

4

- 3 types of activities
 - New projects (with EPC contractors)
 - Retrofit activities (case by case studies with EPC contractors or Owners)
 - After sales activities (with Owners)

INDUSTRIES SERVED

5

- Power Plants
- Desalination
- Water treatment
- Oil and Gas
- Chemical Plants
- Irrigation



PRODUCTS

6

- 2 main families of products:

- Intake screening systems

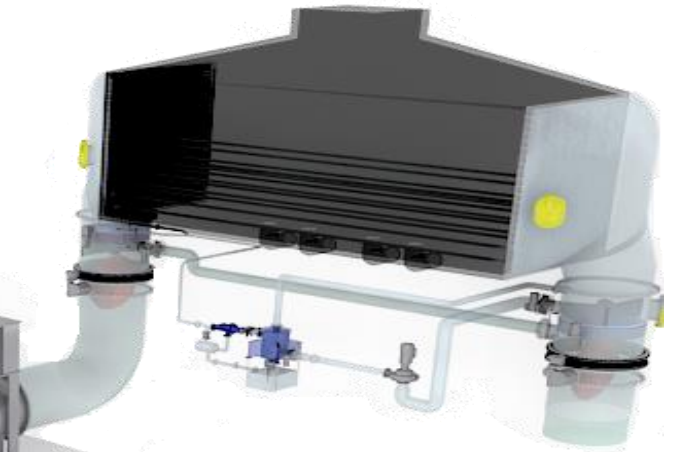
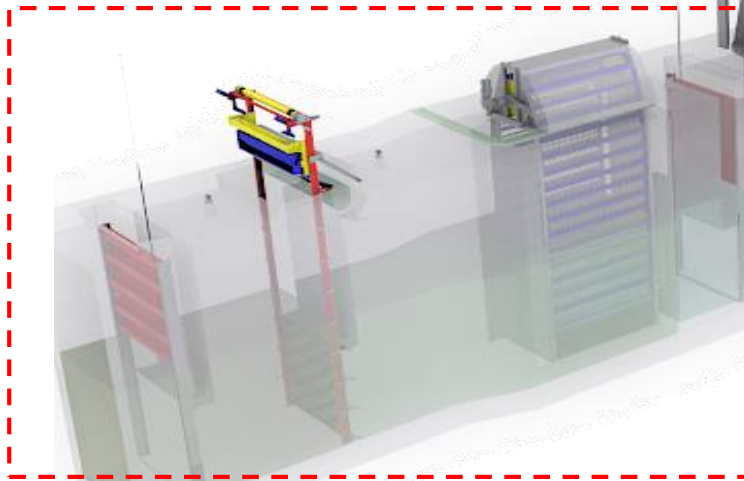
- (stop logs, bar screens, travelling band screens, drum screens, fish protection solutions, etc...)

PRODUCTS

7

□ 2 main families of products:

1) Intake screening systems
(stop logs, bar screens, travelling band screens,
drum screens,)



PRODUCTS

8

- 2 main families of products:

- Intake screening systems

- (stop logs, bar screens, travelling band screens, drum screens, fish protection solutions, etc...)

- Applications for condensers (Power Plant)

- (Debris filters, “ZBL” Condenser Tube Cleaning Systems)

PRODUCTS

9

- 2 main families of products:



2) Applications for condensers
(Debris filters, CTCS)

BEAUDREY –A WORLDWIDE REFERENCE

10



WHAT ARE SCREENS USED FOR ?





11

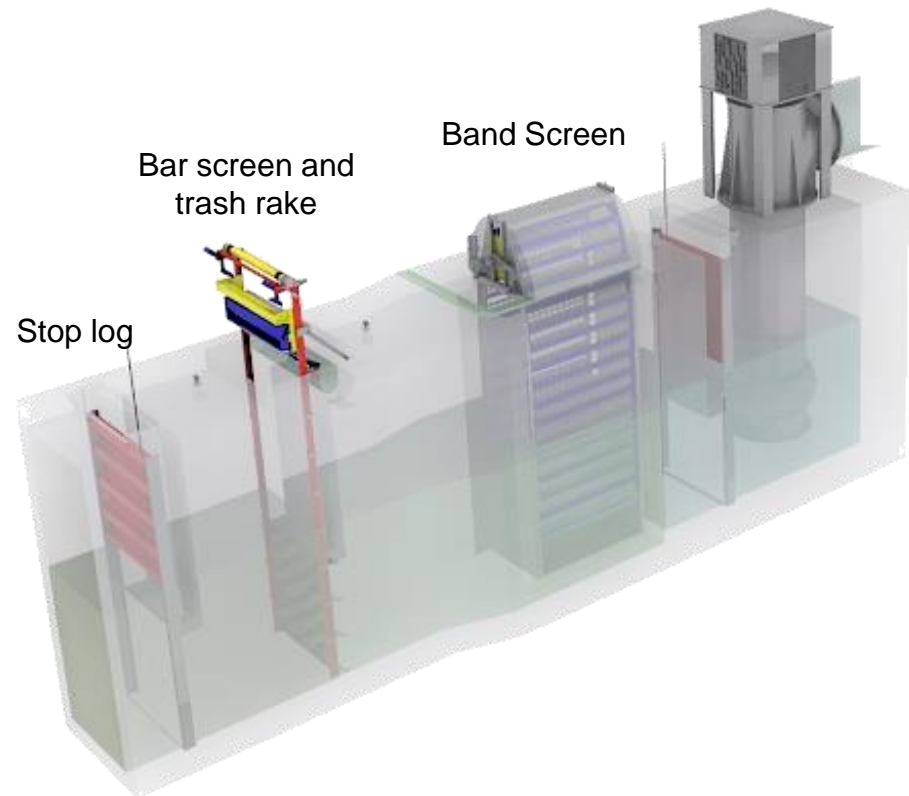
- ❑ To improve the plant's water supply
- ❑ To remove a maximum amount of debris from the existing water intake structure
- ❑ To improve condenser performances (macrofouling, microfouling)
- ❑ To substantially reduce the risk of plant trips related to high debris at the intake
- ❑ To reduce maintenance requirements

INTAKE SCREENING EQUIPMENTS

12

□ TYPICAL INTAKE

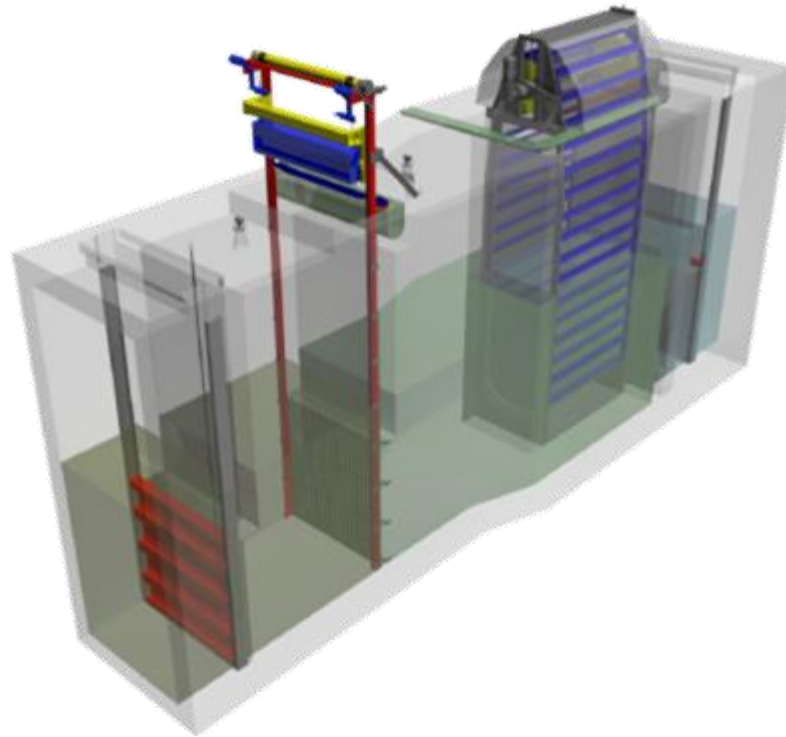
	<p>Coarse screen 100 to 200mm</p>
	<p>Bar screen with Trash Rake 20 to 80 mm</p>
	<p>Band screen or Drum screen 1 to 10 mm</p>
	<p>CW Pump</p>



INTAKE SCREENING EQUIPMENTS

13

□ TYPICAL INTAKE

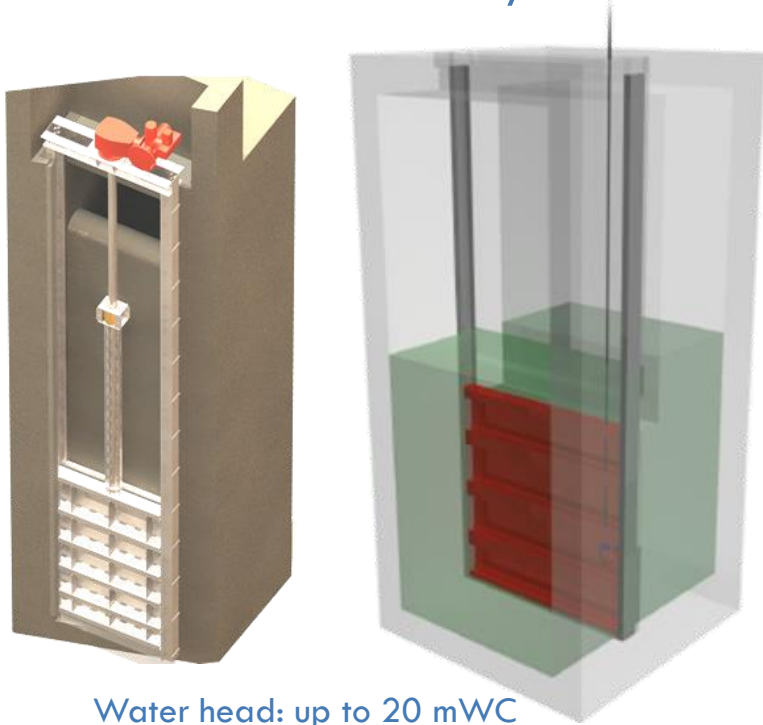


With Band Screen solution

INTAKE SCREENING EQUIPMENTS

14

□ STOP LOG / PENSTOCK

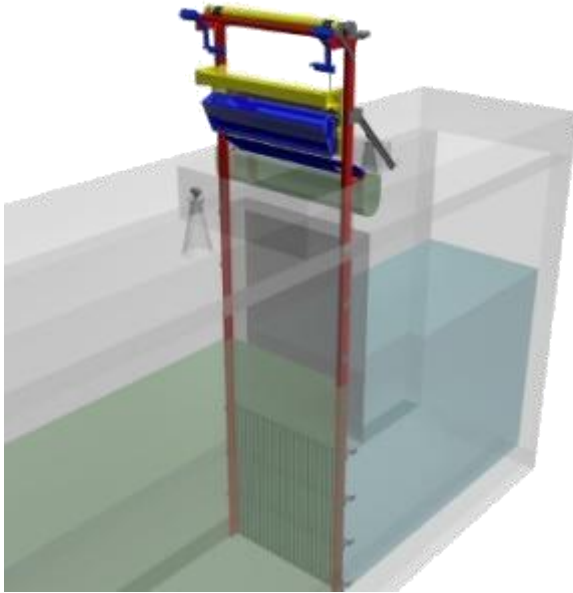


Water head: up to 20 mWC
Width: up to 9m

INTAKE SCREENING EQUIPMENTS

15

□ BAR SCREEN / "S" TRASH RAKE



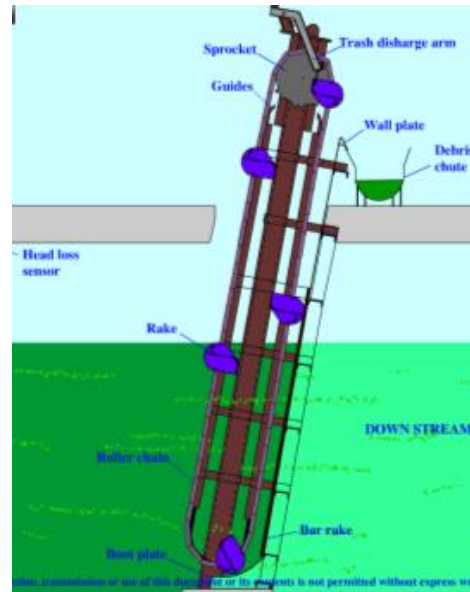
Bar pitch: between 20mm and 100mm
Width: up to 6m



INTAKE SCREENING EQUIPMENTS

16

□ BAR SCREEN / "R" TRASH RAKE

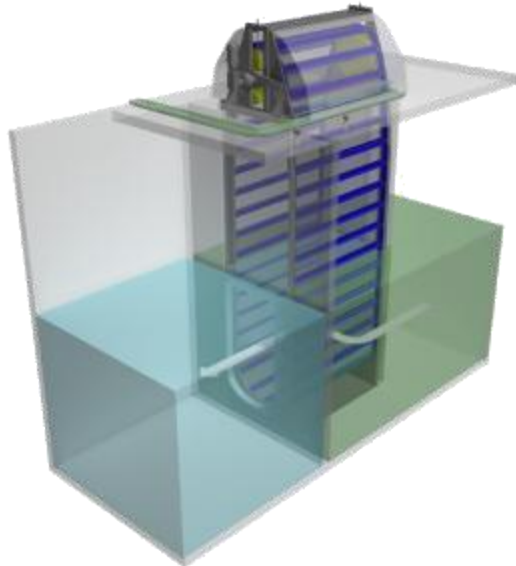


Bar pitch: between 20mm and 100mm
Width: up to 6m

INTAKE SCREENING EQUIPMENTS

17

□ TRAVELLING BAND SCREEN



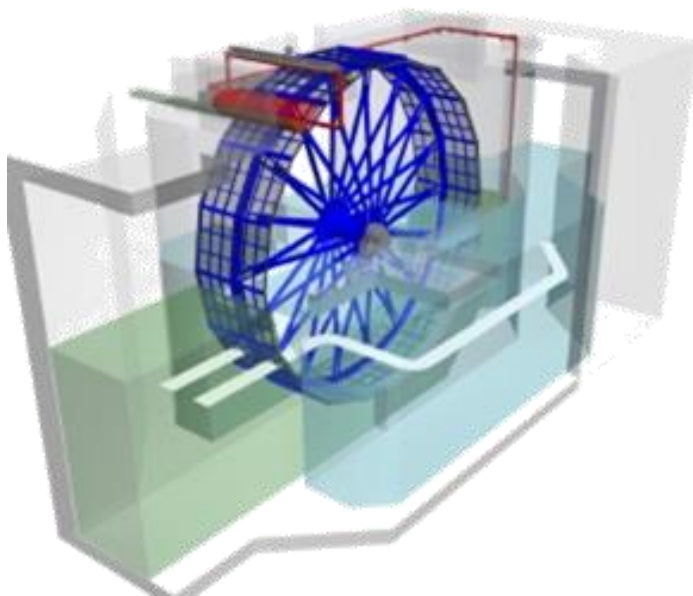
Mesh size: between 1mm and 10mm
Flow rate: up to 60.000 m³/h



INTAKE SCREENING EQUIPMENTS

18

□ DRUM SCREEN



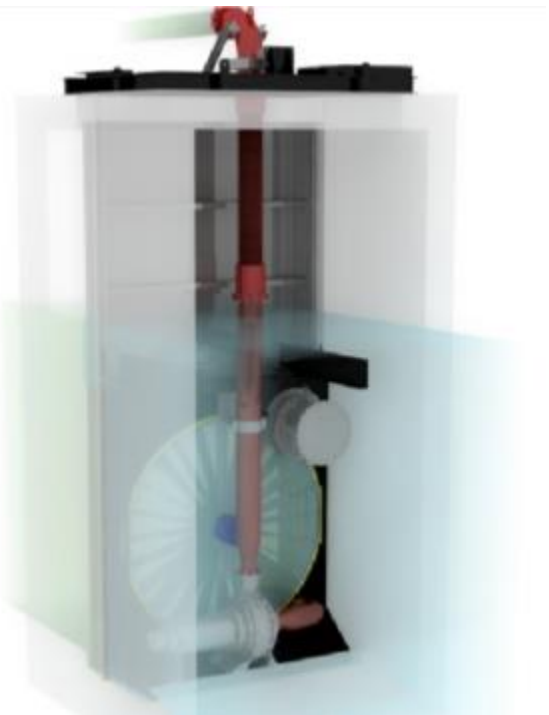
Mesh size: between 1mm and 10mm
Flow rate: up to 100.000 m³/h



INTAKE SCREENING EQUIPMENTS

19

- WIP for fish solution



INTAKE SCREENING EQUIPMENT

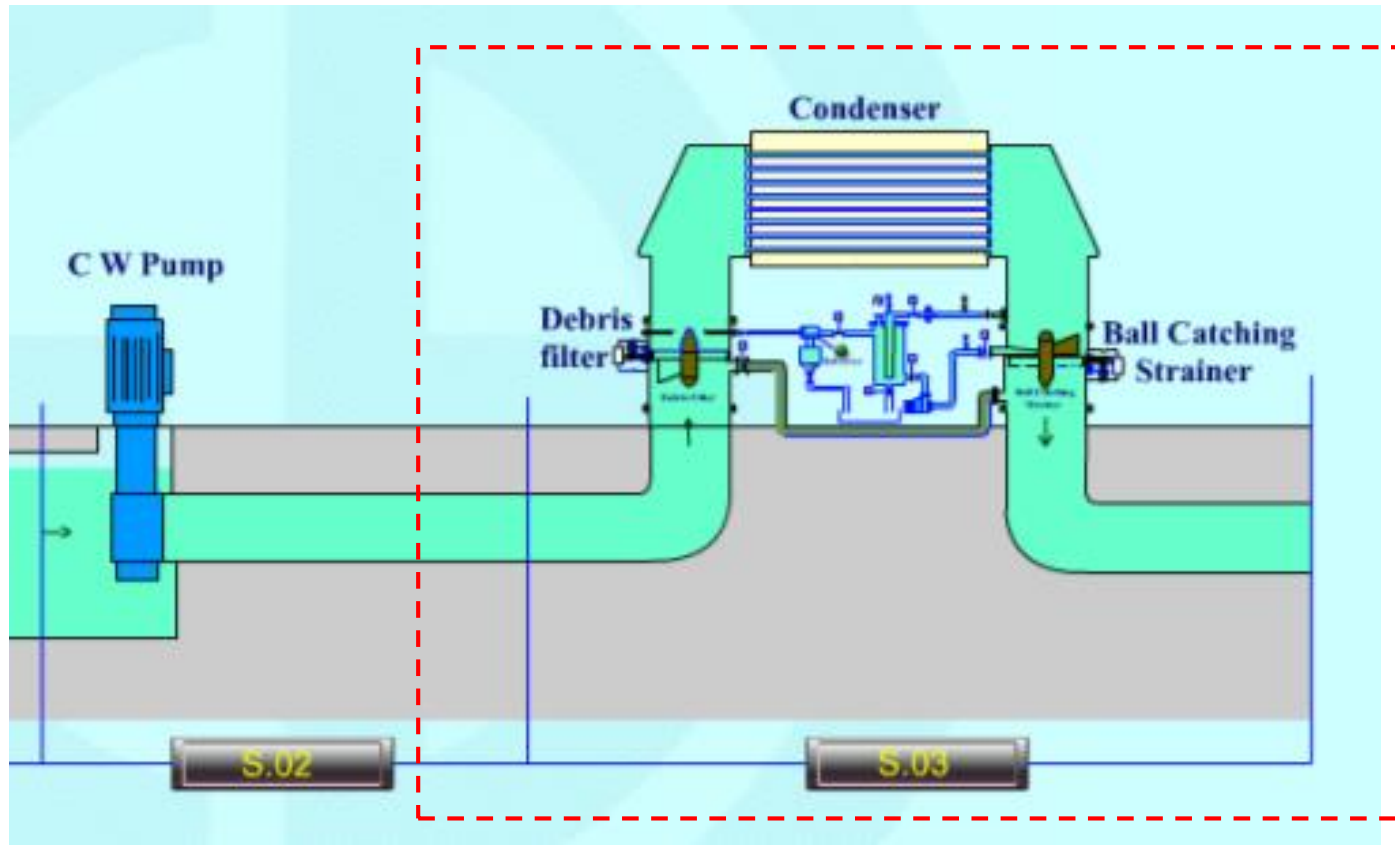
20

□ ALSO:

- Thru-Flow travelling band screen
- In-Out travelling band screen
- Mobile trask rake
- Pressure in line strainer (statodyn type)
- Screens with fish solutions

APPLICATIONS FOR CONDENSERS

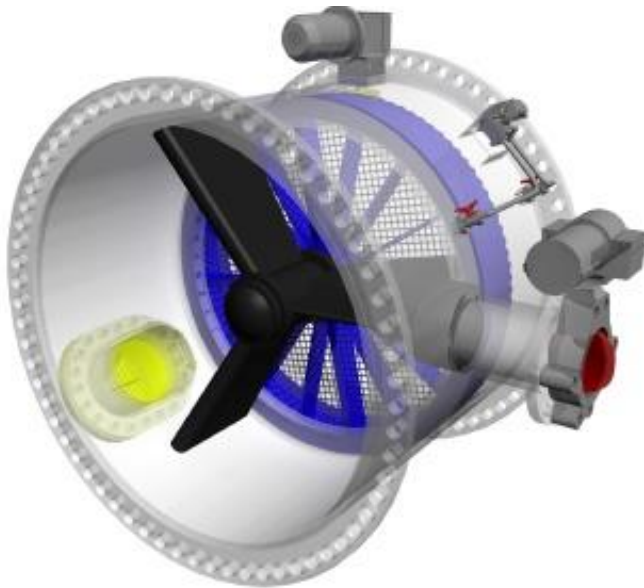
21



APPLICATIONS FOR CONDENSERS

22

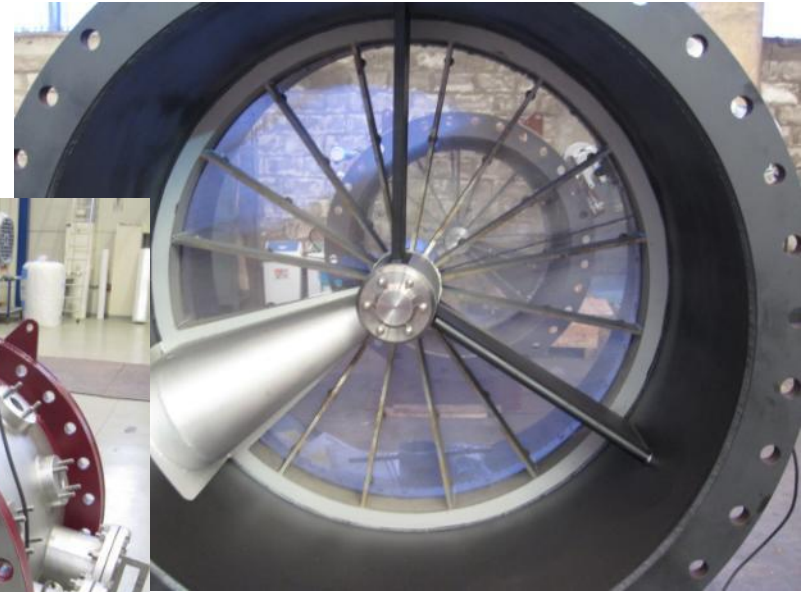
□ DEBRIS FILTERS



Size: from DN500 to DN3400
Flow rate: up to 80.000 m³/h

APPLICATIONS FOR CONDENSERS

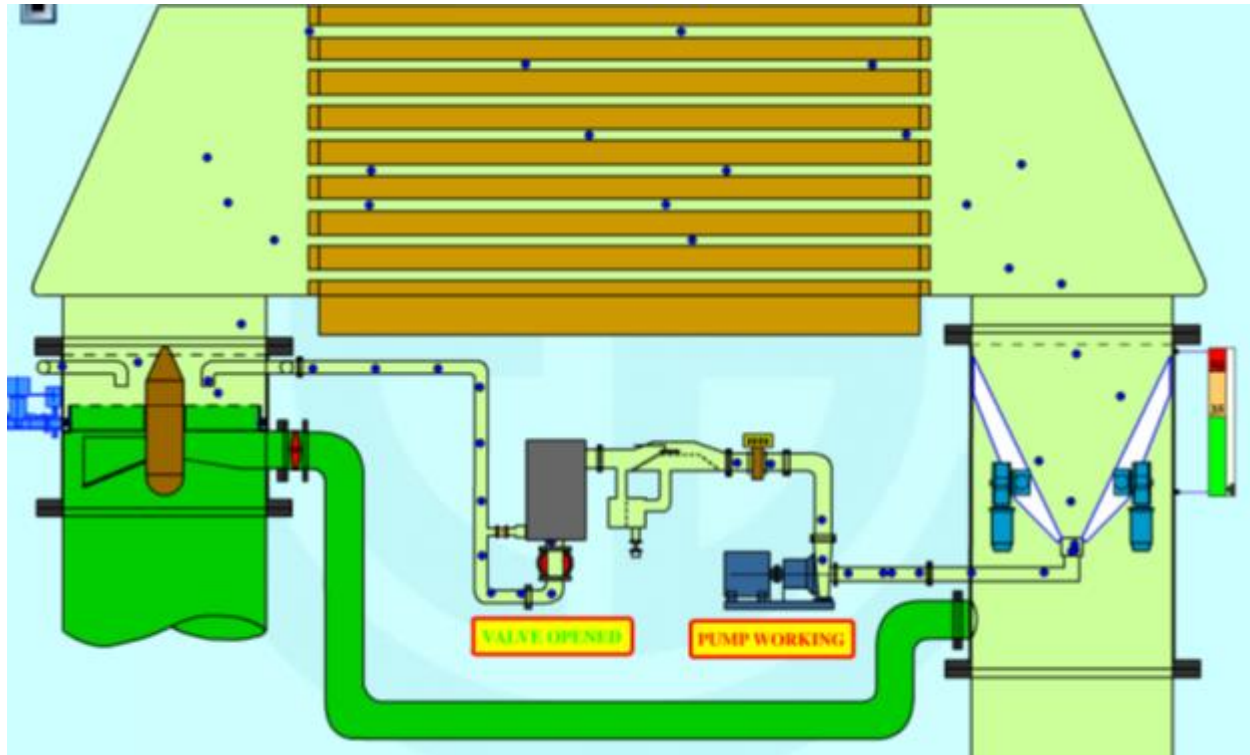
23



APPLICATIONS FOR CONDENSERS

24

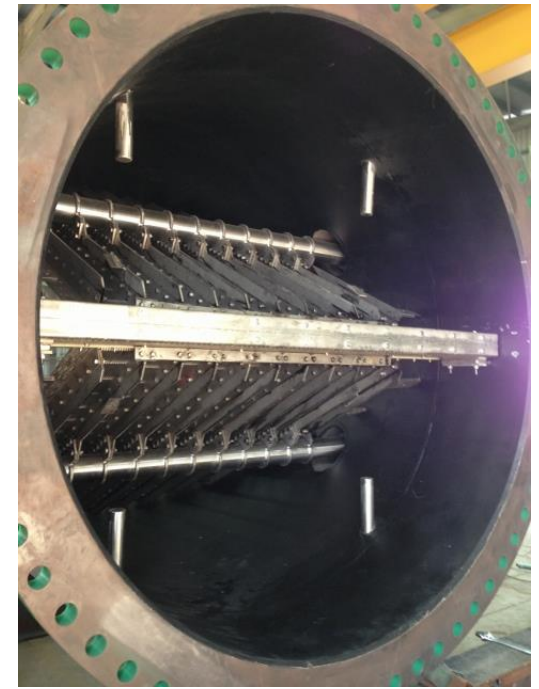
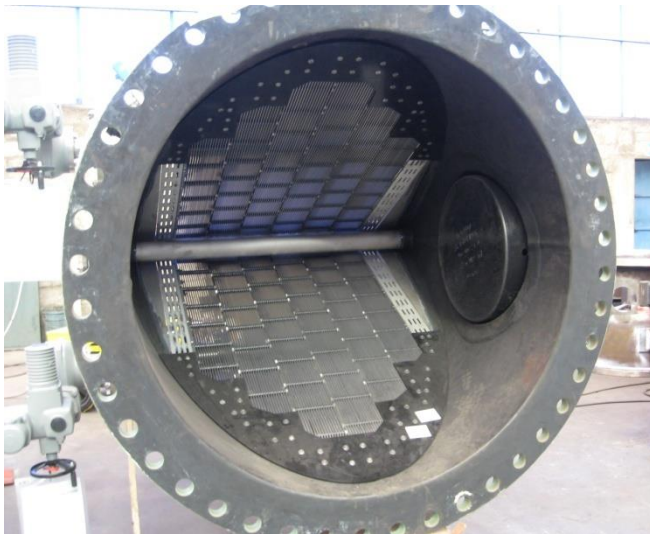
□ Grids type -Continuous Tube Cleaning System



APPLICATIONS FOR CONDENSERS

25

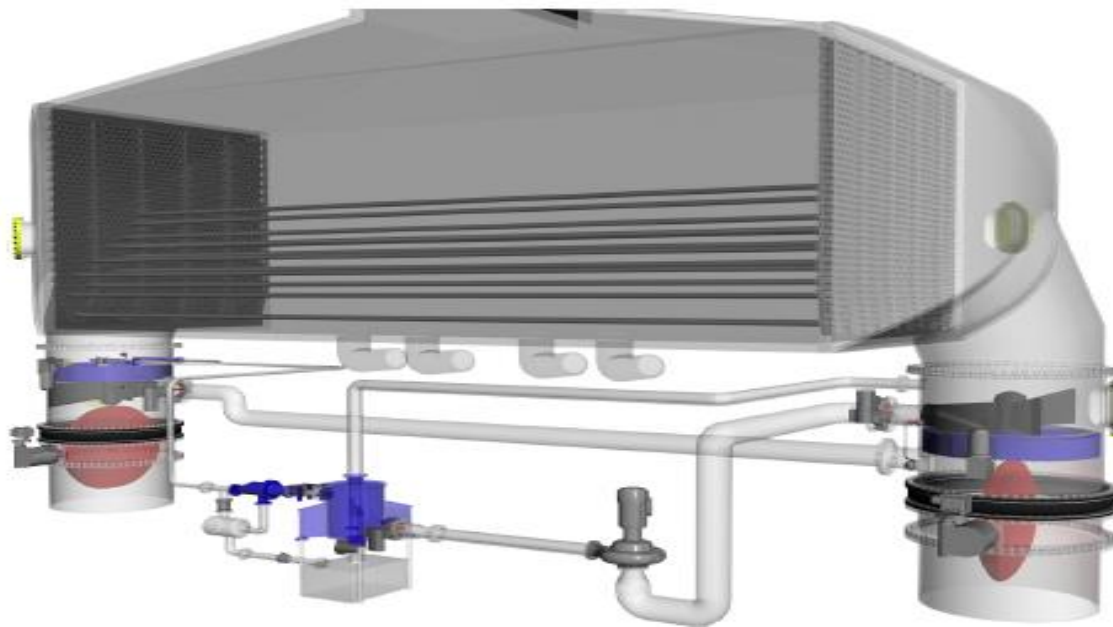
□ Grids type -Continuous Tube Cleaning System



APPLICATIONS FOR CONDENSERS

26

□ ZBL* Continuous Tube Cleaning System



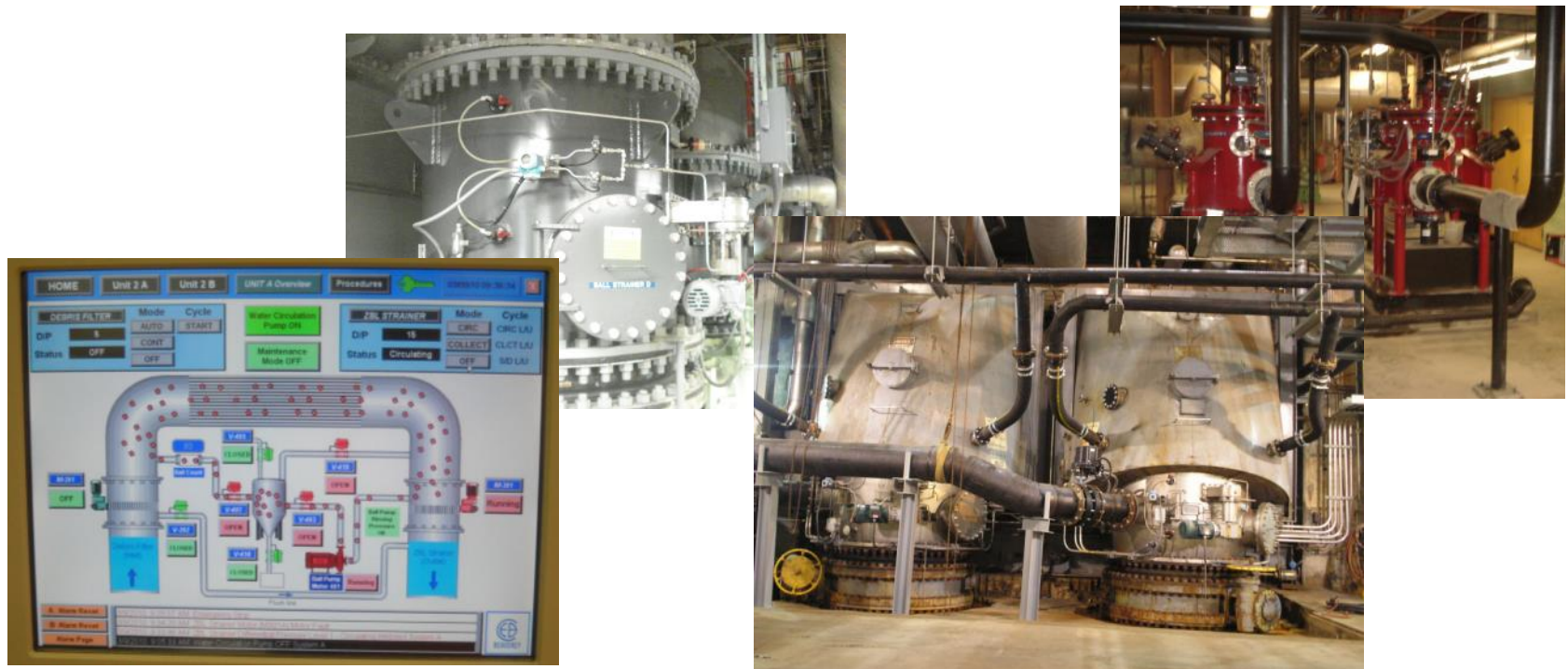
* Zero Ball Loss



APPLICATIONS FOR CONDENSERS

27

□ ZBL* Continuous Tube Cleaning System



ENGINEERING OF SCREENING PLANT

28

- Data to be given to Beaudrey for a study (as a minimum):
 - Flow rate per line
 - Type of water (river, seawater, lake, etc..)
 - Nature of debris if known
 - Mesh size
 - Lowest water level
 - Highest level water
 - Service water level

BEAUDREY

29

- YOUR PARTNER FOR for:
 - Design
 - Construction
 - Erection
 - Start-up and Commissioning

Main Customers

30

□ End Users



□ EPC Contractors



CONTACT

31



E.BEAUDREY et Cie

14, Boulevard Ornano
75018 PARIS

France

Tel: +33.1.42.57.14.35

www.beaudrey.com